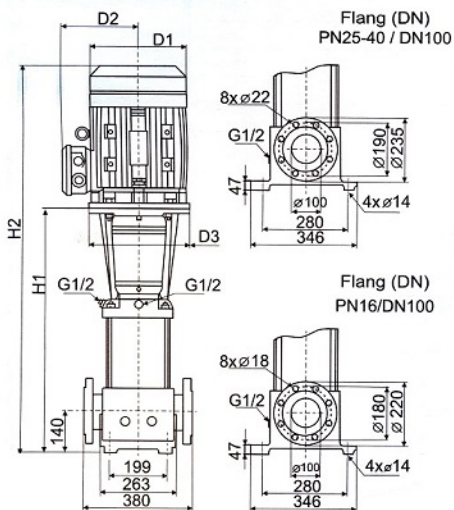


Vertical Multistage Centrifugal in - line Pump

Dimensions and weights - PCR 90



General Specification

Output size:	25 to 125 mm
Capacity:	0.7-180 m ³ /hr
Head:	275 m
Operation Temperature:	-15 to +120
Main Connection (1-[v/Hz]):	220-240 V, 50 Hz
Main Connection (3-[v/Hz]):	380-415 V, 50 Hz
Insulation Class:	F
Enclosure Class:	IP 55
Ambient Temperature:	50°C

Pump type	Motor		Pump Flanges (mm)	PCR					Net weight (kg)
	P [kW]	rpm		Dimension(mm)					
				H1	H2	D1	D2	D3	DIN flange
PCR 90-1-1	5.5	2900	100	572	934	235	197	300	122.2
PCR 90-1	7.5			572	970	235	197	300	128.5
PCR 90-2-2	11			774	1279	318	245	350	174.5
PCR 90-2	15			774	1284	318	245	350	184.5
PCR 90-3-2	18.5			866	1416	318	245	350	214.7
PCR 90-3	22			866	1446	358	265	350	257.5
PCR 90-4-2	30			958	1618	420	295	400	327.3
PCR 90-4	30			958	1618	420	295	400	327.3
PCR 90-5-2	37			1050	1710	420	295	400	346.9
PCR 90-5	37			1050	1710	420	295	400	346.9
PCR 90-6-2	45			1142	1832	470	325	450	410.2
PCR 90-6	45			1142	1832	470	325	450	410.3